

After a break in April we are back with more knowledge, information and viewpoints to share

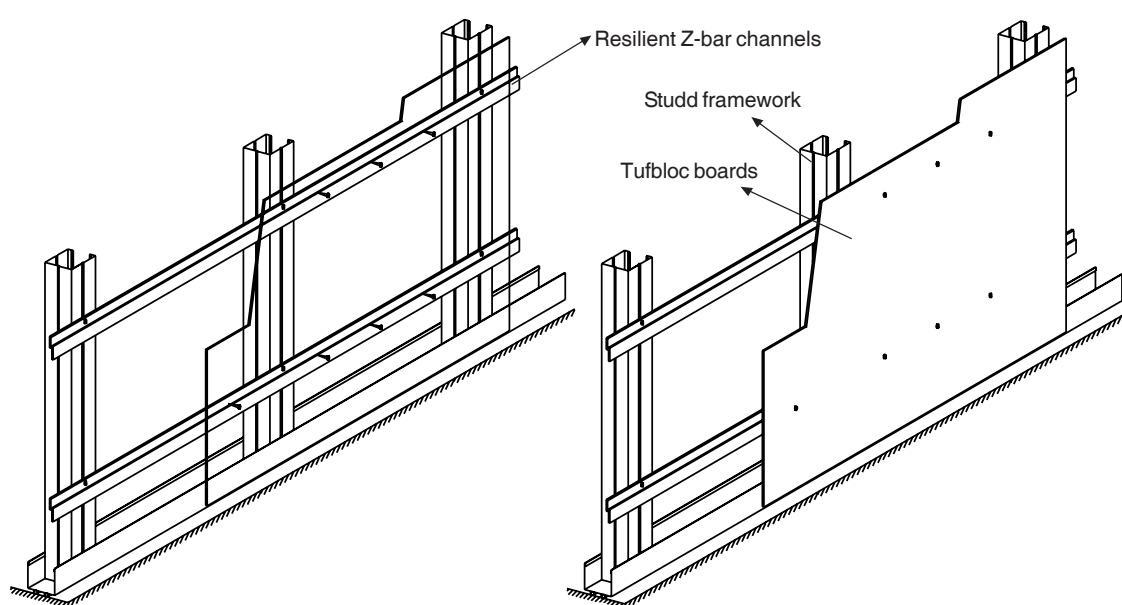
Resilient Channels for Better Soundproofing by Drywalls

Internal partitions in buildings are constructed of drywalls that consist of boards mechanically fastened to either side of metal framework. For example, Tufbloc fastened to Studd framework. These drywalls are not only expected to divide the floor plate efficiently but also provide visual and acoustic privacy

When sound waves hit one side of such high density boards the mid and high frequencies get mostly blocked. However all the low and some of the mid frequencies can cause the board to vibrate. These vibrations get transmitted through the framework to the second board on the other side and then onto the room on the other side. This is the primary reason why soundproofing of drywalls is less efficient.

Anutone, as usual, is the first in India to offer an acoustic solution with resilient channels that are inserted between the board and the metal framework. For example, Anutone's Z-bar inserted between Tufbloc and Studd, fastened horizontally at 600mm centres. This provides the much need dampness, like a shock absorber, and improves the soundproofing especially vibration control.

The resilient Z-bar channel installed horizontally at the joints of the boards offers two further advantages as a bonus. One, it acts as a retainer for the jointing compound and prevents the latter from accidentally falling in the framework void. Two, it creates a rigid framework with the vertical Studd thus offering a drywall with much greater strength characteristics that is seismic-resistant too.



Tufbloc boards on resilient channels (Z-bars) for superior soundproofing of drywall systems

Please note that additional soundproofing may also require a different drywall system like:

- An additional layer of boards like Tufbloc for double-skin drywalls
- Insertion of acoustic infill like Synth PF in the metal framework
- Increase the width of Studd metal framework from 50 to 72mm
- A double stud, triple skin system with multiple layers of Synth PF

Also, only a soundproof drywall does not guarantee total freedom from noise and vibration. You must consider any (also remember just "soundproof" word guarantees nothing!!!)

- Penetrations due to air conditioning duct systems, electrical and plumbing services
- Openings like doors, windows, ventilators
- Flanking noise paths due to acoustically weak adjacencies
- Installation deficiencies during construction of the drywall system and adjacencies

Magnesia Board Made by Anutone in India Does not Sweat or Crack

Magnesia board dumped onto unsuspecting buyers in India by casual imports from China is likely to bring grief. Such boards are known to sweat and/or crack because they are made from inferior raw materials and just not suited for Indian climatic conditions.

Anutone began the magnesia board story in India by contract manufacturing in China and imported since 2011. However even with our stringent specifications and quality control we found imports from China were neither reliable nor consistent. Project sites at Guwahati and Chennai brought us grief.

We thus decided to set up our own manufacturing plant in India in 2013. Those 3 years of made in China taught us many valuable lessons. We can rightfully claim to be much ahead on the knowledge curve and this experience, expertise and insight is what we bring to the table.

Since 2014 Anutone has been manufacturing (outside Bengaluru) and supplying Tufbloc magnesia boards across India and overseas without any complaints of sweating and/or cracking. This is because of the state-of-the-art manufacturing plant and highest quality of raw materials and stringent quality assurance that ensures boards conform to AC386, the only international standard for magnesia boards.

The same philosophy, ideology and principles that made Anutone world-famous for quality wood-wool boards has been deployed for magnesia board manufacturing. After the success of our Strand and Mat series comes the glow of satisfaction and pride at our Tufbloc magnesia series.

www.anutone.com

Anutone Acoustics Limited, 231, 7th Cross, Indiranagar 1st Stage, Bengaluru 560 038, India.

Phones +9180 4084 3737, 2520 2803, 2520 3114 info@anutone.com

AHMEDABAD • BHOPAL • BHUBANESWAR • CHANDIGARH • CHENNAI • DELHI NCR • GOA • HYDERABAD • KOCHI
KOLKATA • MUMBAI • NAGPUR • PUNE • RAIPUR • RAJKOT • RANCHI • SURAT • VADODARA

Toll Free 1800 103 5505 (9.30am - 6.30pm Monday-Friday)



All logos and brand names are registered trademarks of their respective owners. To ensure delivery to your inbox, please add info@anutone.com to your address book. If you wish to stop receiving our emails, reply with Unsubscribe in the subject line to info@anutone.com.